



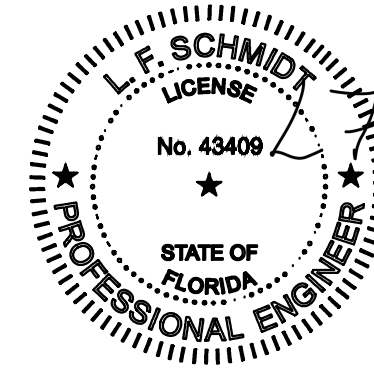
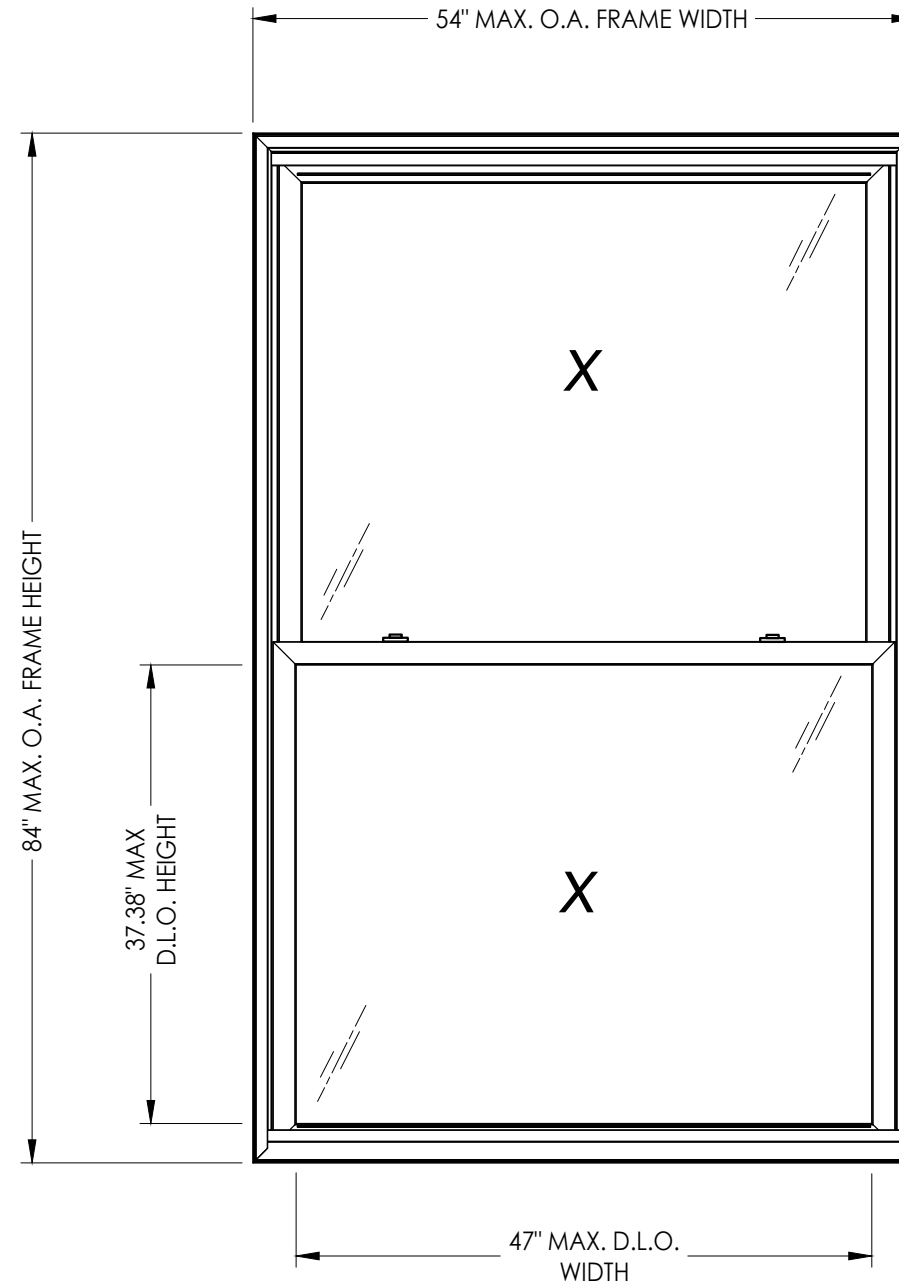
250 Staunton Turnpike, Parkersburg, WV 26104

8800 Series Vinyl Double Hung Window "IMPACT"

GENERAL NOTES

1. This product has been evaluated and is in compliance with the 8th Edition (2023) Florida Building Code (FBC) structural requirements excluding the "High Velocity Hurricane Zone" (HVHZ).
2. Product anchors shall be as listed and spaced as shown on details. Anchor embedment to base material shall be beyond wall dressing or stucco.
3. When used in areas requiring wind borne debris protection this product complies with FBC Sections 1609.1.2 & R301.2.1.2 and does not require an impact resistant covering. This product meets missile level "D" and includes Wind Zone 4 as defined in ASTM E1996 and FBC Sections 1609.1.2.2 & R301.2.1.2.1.
4. For 2x stud framing construction, anchoring of these units shall be the same as that shown for 2x buck masonry construction.
5. Site conditions that deviate from the details of this drawing require further engineering analysis by a licensed engineer or registered architect.

TABLE OF CONTENTS	
SHEET #	DESCRIPTION
1	Typical elevations, design pressures and general notes
2	Horizontal cross sections
3	Vertical cross sections
4	Horizontal and vertical cross sections
5	Buck and frame anchoring (dual track)
6	Buck and frame anchoring (alternate interior track)
7	Components
8	Bill of materials, components & glazing details



This item has been digitally signed and sealed by L. F. Schmidt, P.E. on the date adjacent to the seal. Printed copies of this document are not considered signed and sealed and the signature must be verified on any electronic copies.

THIS PRODUCT APPROVAL IS VALID ONLY FOR THE STATE OF FLORIDA

Documents Prepared By:
Lyndon F. Schmidt
P.E. No. 43409

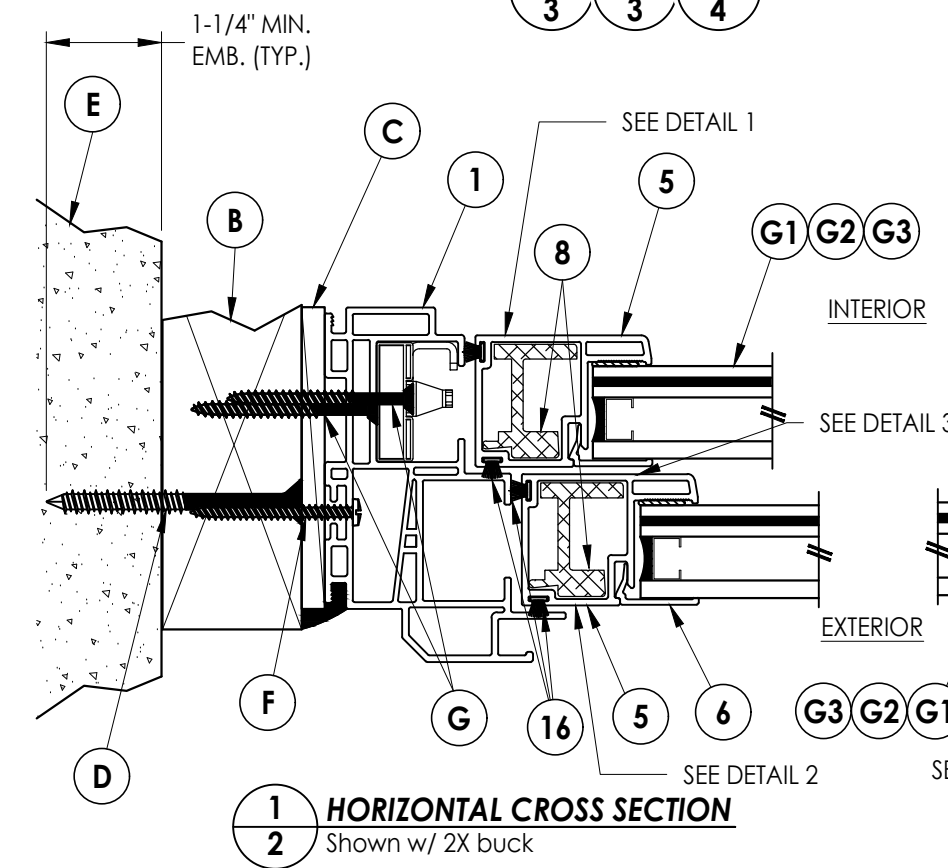
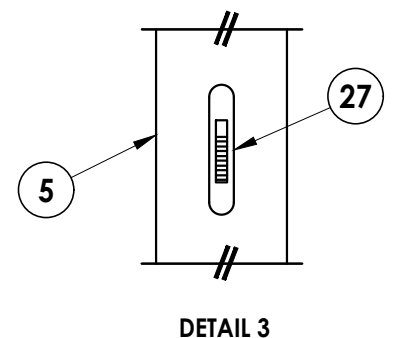
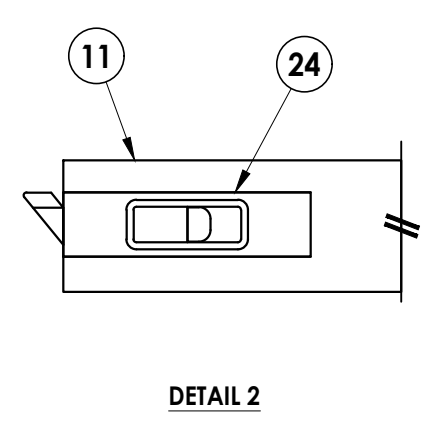
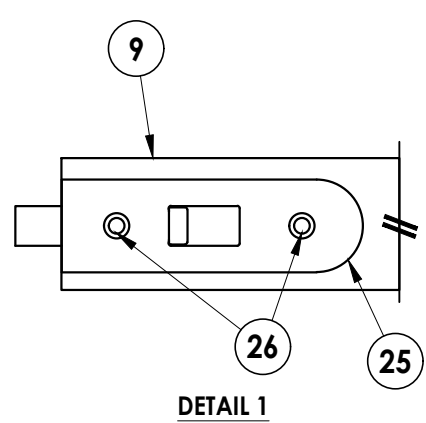
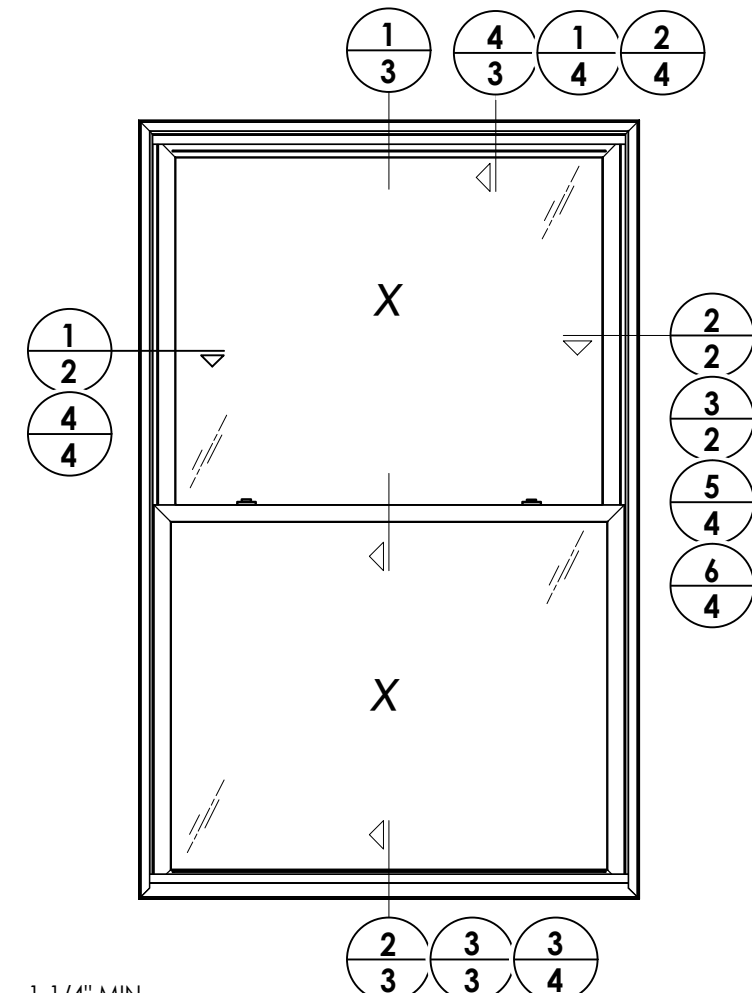
RW BUILDING CONSULTANTS, INC.
P.O. Box 230, Vairico, FL 33595
Phone No.: 813.659.9197
FBPE Registry No. 9813

PRODUCT: 8800 SERIES Vinyl Double Hung Window
PART OR ASSEMBLY: TYPICAL ELEVATION, DESIGN PRESSURES & GENERAL NOTES

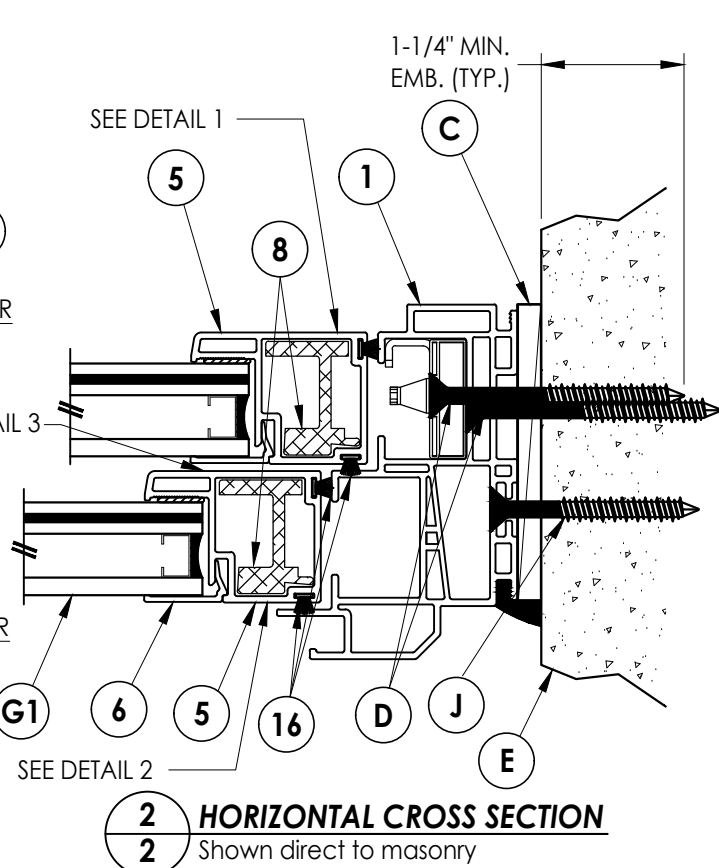
NO.	DATE	REVISIONS
6	7/06/23	UPDATE TO 8TH ED. (2023) FBC
5	7/02/20	UPDATE TO 7TH ED. (2020) FBC
4	1/29/19	ADD ALTERNATE ANCHORING
3	6/01/17	UPDATE TO 6TH ED. (2017) FBC
2	1/27/15	UPDATE TO 5TH ED. (2014) FBC
1	4/02/13	UPDATE FRAME SIZE/DP/GLZ

DATE: 8/2/12
SCALE: N.T.S.
DWG. BY: JK
CHK. BY: LFS
DRAWING NO.: FL-15819.2
SHEET 1 OF 8

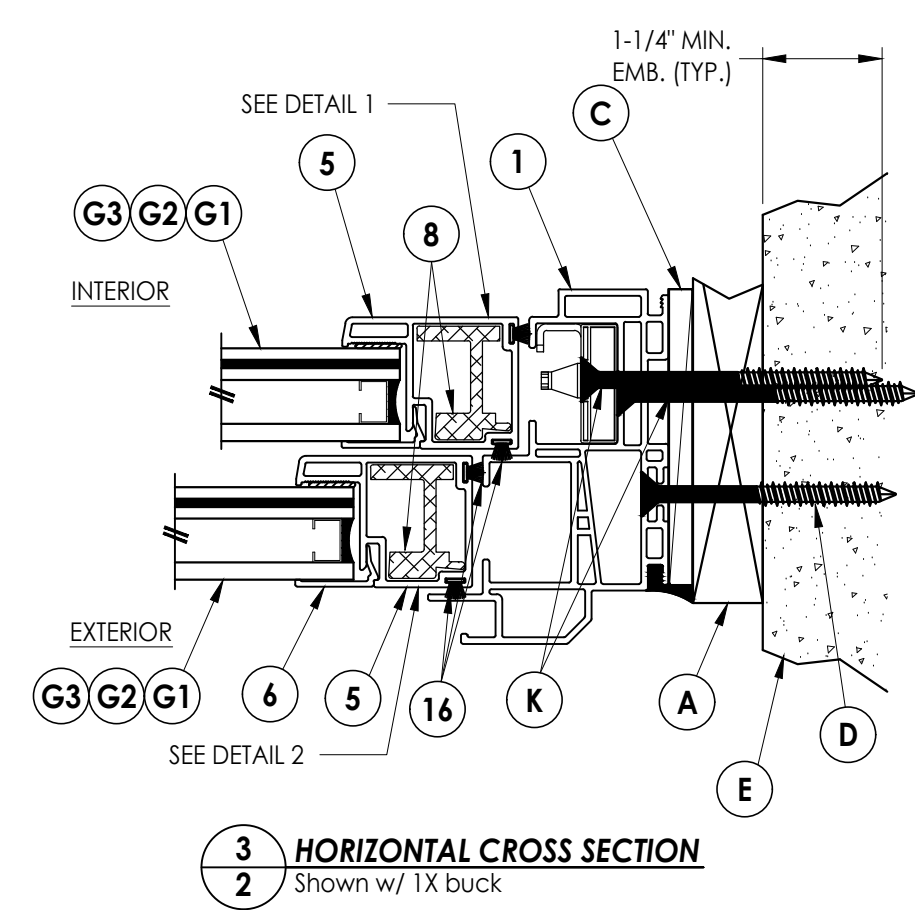
MAX. FRAME DIMENSION	MAX. D.L.O. DIMENSION	GLASS TYPE	DESIGN PRESSURE (PSF)	
			POSITIVE	NEGATIVE
48.0" X 72.0"	41.0" X 31.38"	G1	+60.0	-65.0
54.0" X 84.0"	47.0" X 37.38"	G1	+50.0	-50.0
54.0" X 76.0"	47.0" X 33.38"	G2	+55.0	-60.0
54.0" X 76.0"	47.0" X 33.38"	G3	+65.0	-70.0



1 HORIZONTAL CROSS SECTION
2 Shown w/ 2X buck



2 HORIZONTAL CROSS SECTION
2 Shown direct to masonry



3 HORIZONTAL CROSS SECTION
2 Shown w/ 1X buck

Documents Prepared By:
Lyndon F. Schmidt
P.E. No. 43409

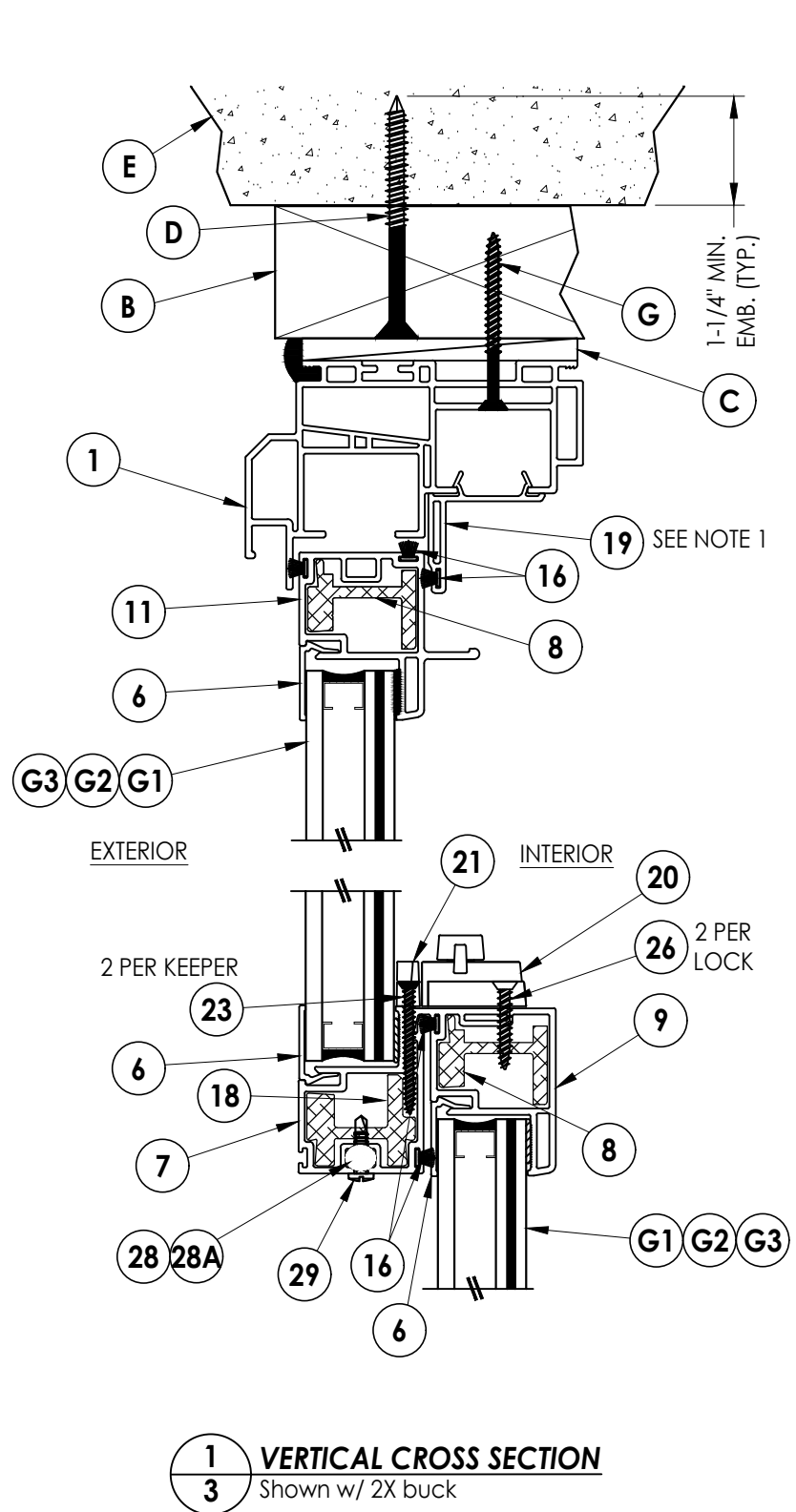
PRODUCT:
8800 SERIES
Vinyl Double Hung Window

PART OR ASSEMBLY:
HORIZONTAL
CROSS SECTIONS

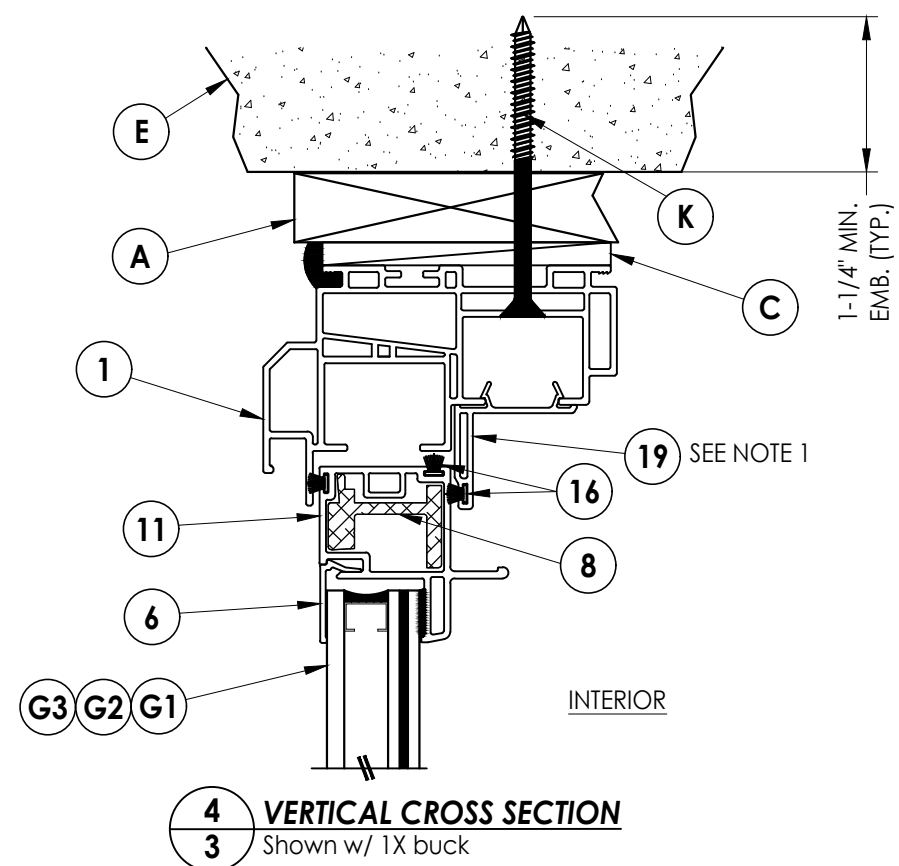
RW BUILDING CONSULTANTS, INC.
P.O. Box 230, Valrico, FL 33595
Phone No.: 813.659.9197
FBPE Registry No. 9813

NO.	DATE	REVISIONS	BY
6	7/06/23	UPDATE TO 8TH ED. (2023) FBC	LFS
5	7/02/20	UPDATE TO 7TH ED. (2020) FBC	LFS
4	1/29/19	ADD ALTERNATE ANCHORING	LFS
3	6/01/17	UPDATE TO 6TH ED. (2017) FBC	LFS
2	1/27/15	UPDATE TO 5TH ED. (2014) FBC	LFS
1	4/02/13	UPDATE FRAME SIZE/DP/GLZ	LFS

DATE: 8/2/12
SCALE: N.T.S.
DWG. BY: JK
CHK. BY: LFS
DRAWING NO.: FL-15819.2
SHEET 2 OF 8

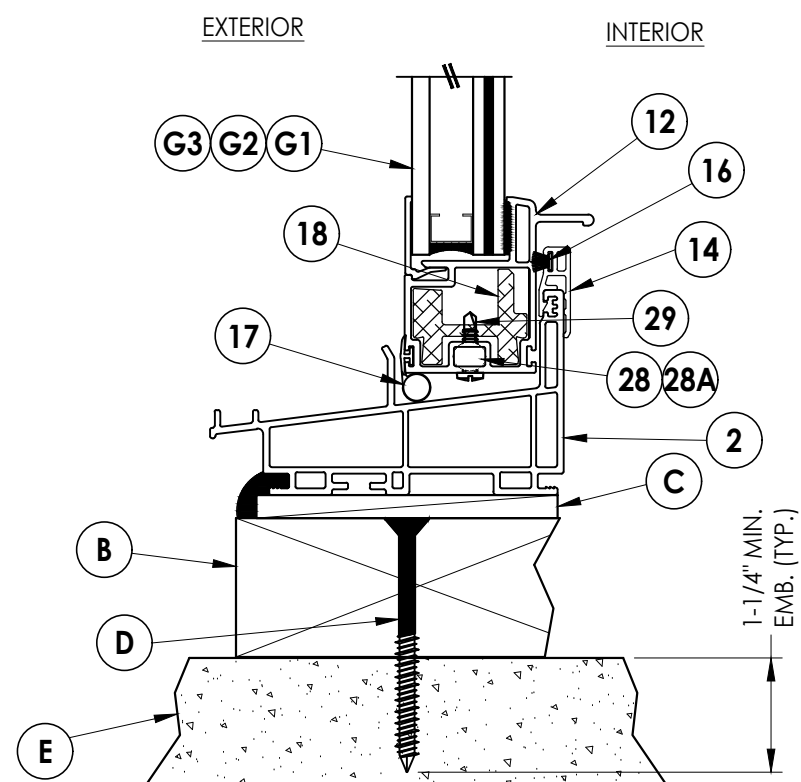


1 VERTICAL CROSS SECTION
3 Shown w/ 2X buck

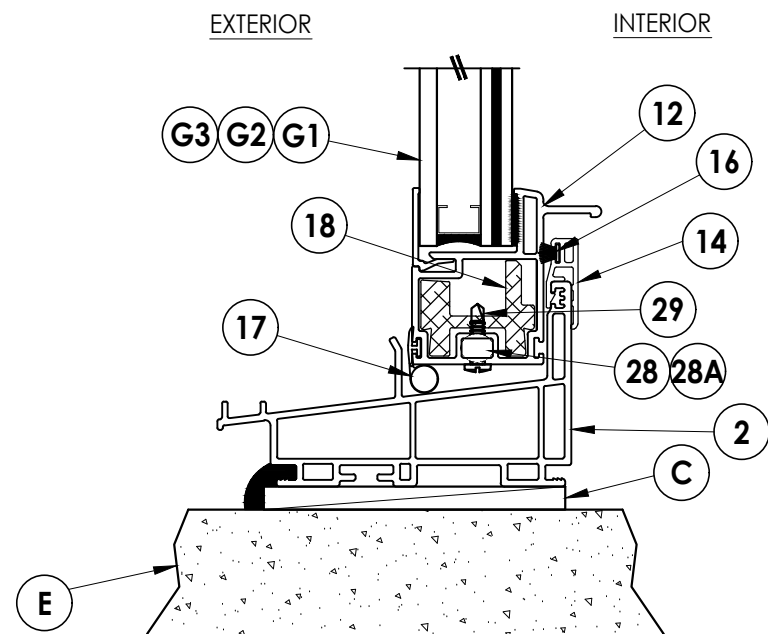


4 VERTICAL CROSS SECTION
3 Shown w/ 1X buck

Note:
1. Item #19 glued to item #1 frame head with PVC Vinyl Cement.

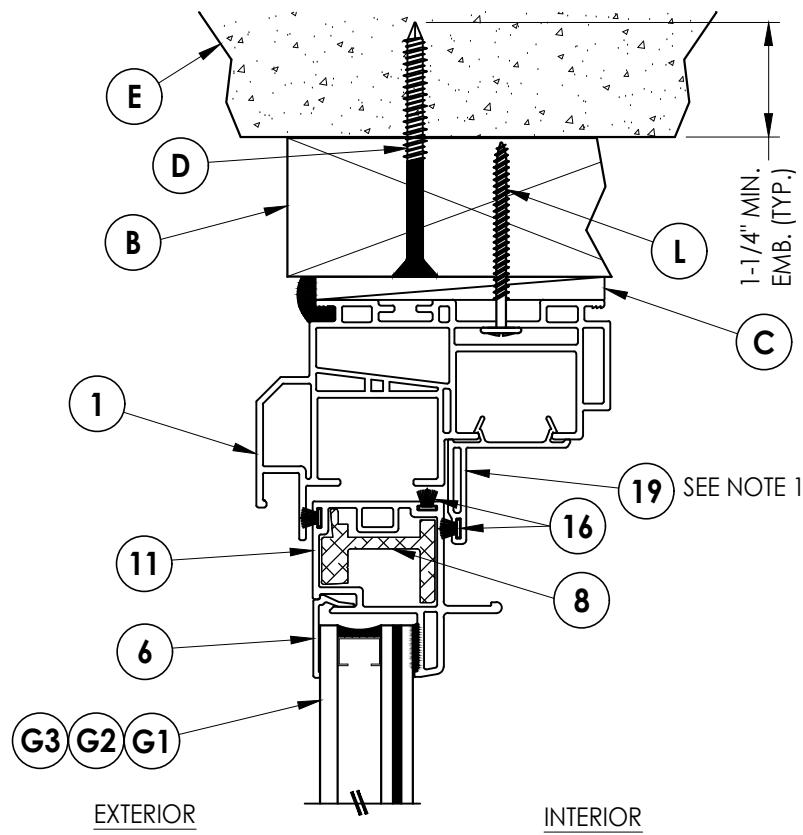


2 VERTICAL CROSS SECTION
3 Shown w/ 2X buck

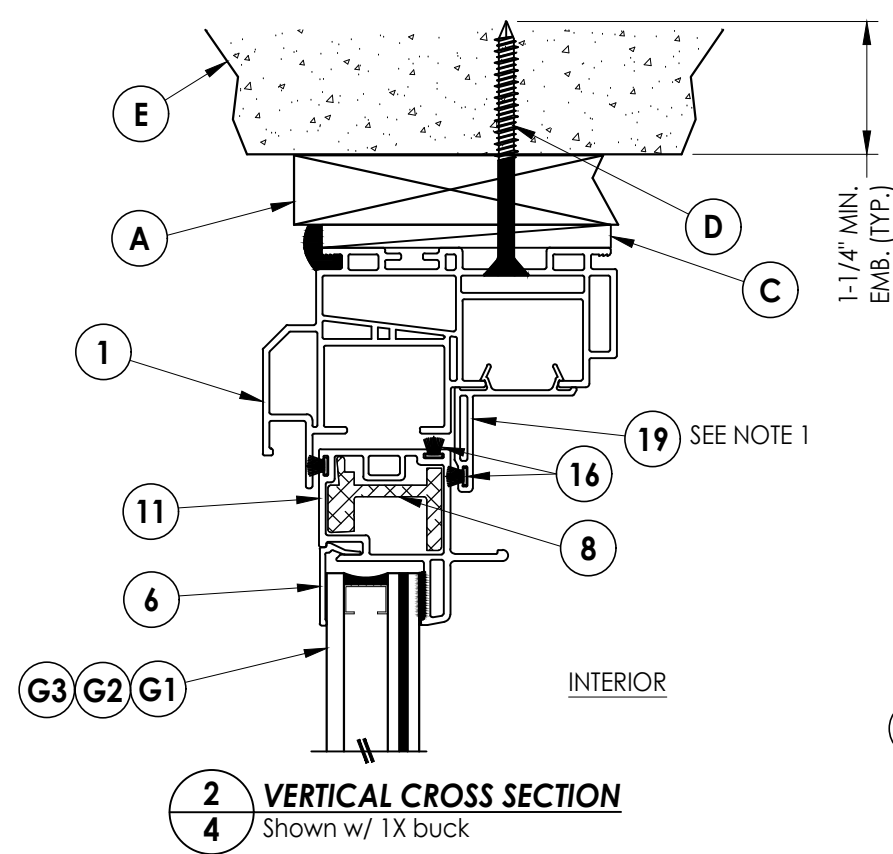


3 VERTICAL CROSS SECTION
3 Shown direct to masonry

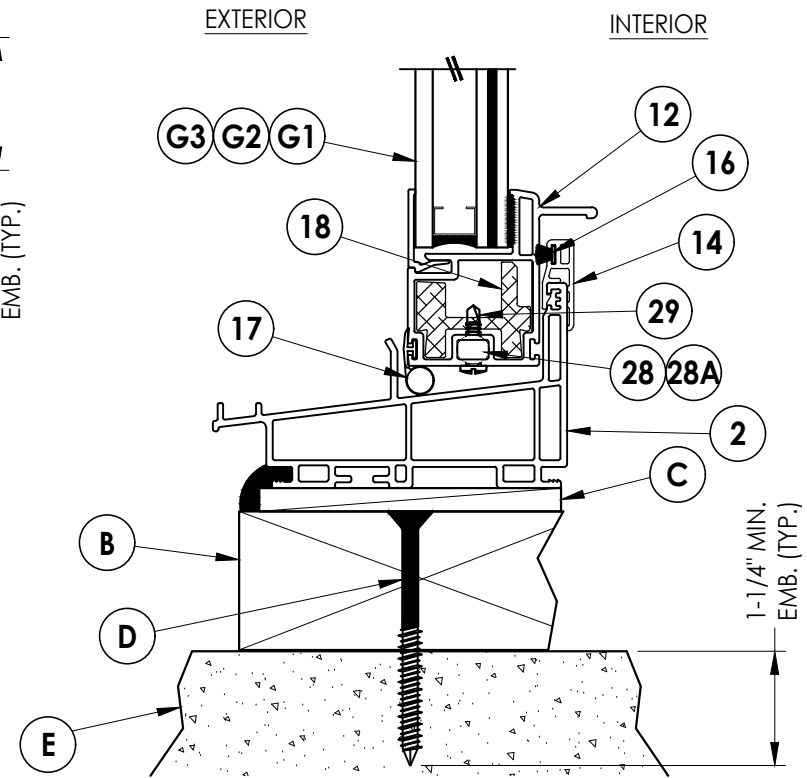
Documents Prepared By: Lyndon F. Schmidt P.E. No. 43409		BUILDING CONSULTANTS, INC. P.O. Box 230, Valrico, FL 33595 Phone No.: 813.659.9197 FBPE Registry No. 9813	
PRODUCT: 8800 SERIES Vinyl Double Hung Window		PART OR ASSEMBLY: VERTICAL CROSS SECTIONS	
6	7/06/23	UPDATE TO 8TH ED. (2023)	FBC
5	7/02/20	UPDATE TO 7TH ED. (2020)	FBC
4	1/29/19	ADD ALTERNATE ANCHORING	LFS
3	6/01/17	UPDATE TO 6TH ED. (2017)	FBC
2	1/27/15	UPDATE TO 5TH ED. (2014)	FBC
1	4/02/13	UPDATE FRAME SIZE/DP/GLZ	LFS
NO.	DATE		BY
			REVISIONS
DATE:		8/2/12	
SCALE:		N.T.S.	
DWG. BY:		JK	
CHK. BY:		LFS	
DRAWING NO.:		FL-15819.2	
SHEET		3 OF 8	



1 VERTICAL CROSS SECTION
4 Shown w/ 2X buck



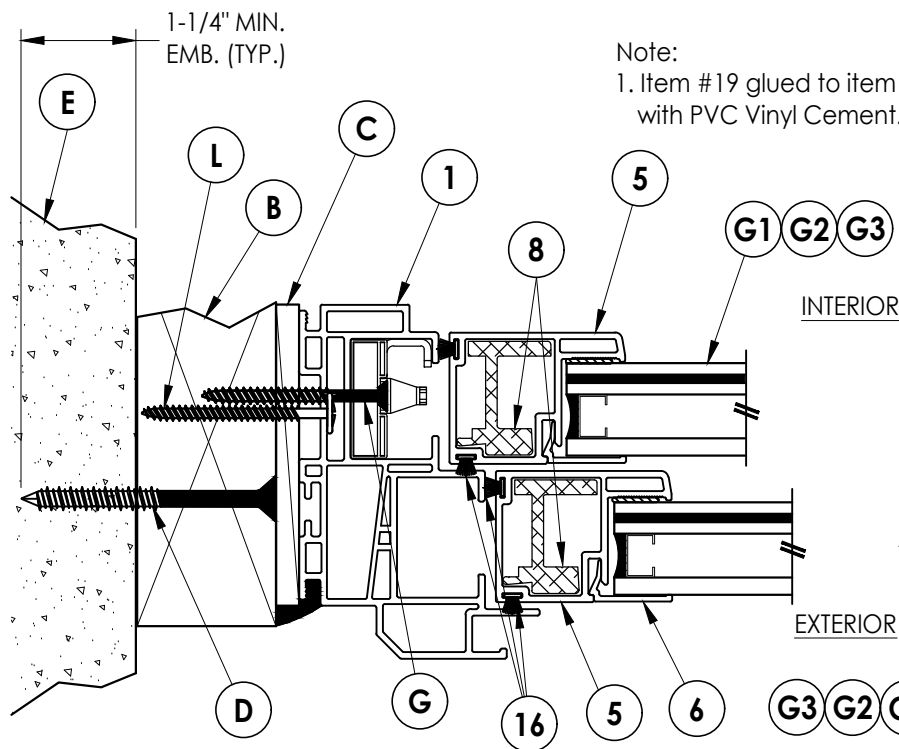
2 VERTICAL CROSS SECTION
4 Shown w/ 1X buck



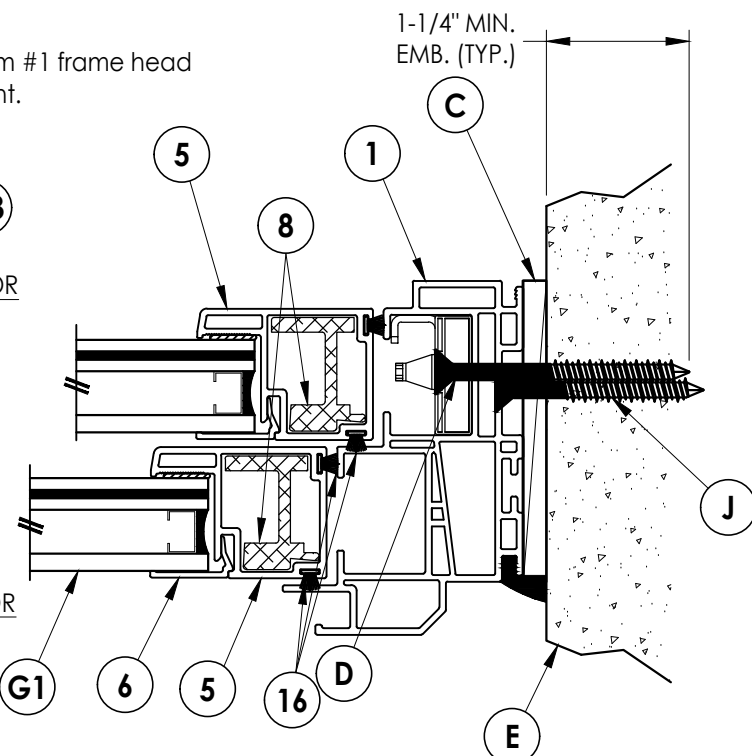
3 VERTICAL CROSS SECTION
4 Shown w/ 2X buck

ALTERNATE INTERIOR TRACK ANCHORING

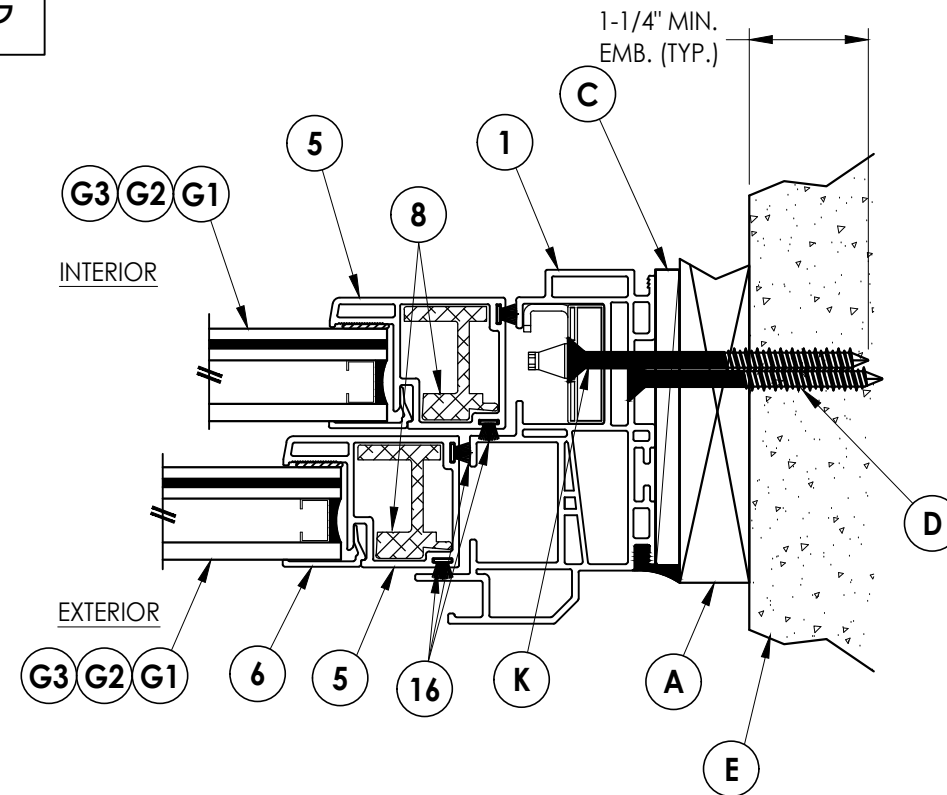
Note:
1. Item #19 glued to item #1 frame head with PVC Vinyl Cement.



4 HORIZONTAL CROSS SECTION
4 Shown w/ 2X buck



5 HORIZONTAL CROSS SECTION
4 Shown direct to masonry



6 HORIZONTAL CROSS SECTION
4 Shown w/ 1X buck

Documents Prepared By:
Lyndon F. Schmidt
P.E. No. 43409

PRODUCT:
8800 SERIES
Vinyl Double Hung Window

PART OR ASSEMBLY:
HORIZONTAL & VERTICAL
CROSS SECTIONS

RW BUILDING CONSULTANTS, INC.
P.O. Box 230, Valrico, FL 33595
Phone No.: 813.659.9197
FBPE Registry No. 9813

NO.	DATE	REVISIONS
6	7/06/23	UPDATE TO 8TH ED. (2023) FBC
5	7/02/20	UPDATE TO 7TH ED. (2020) FBC
4	1/29/19	ADD ALTERNATE ANCHORING
3	6/01/17	UPDATE TO 6TH ED. (2017) FBC
2	1/27/15	UPDATE TO 5TH ED. (2014) FBC
1	4/02/13	UPDATE FRAME SIZE/DP/GLZ

DATE: 8/2/12

SCALE: N.T.S.

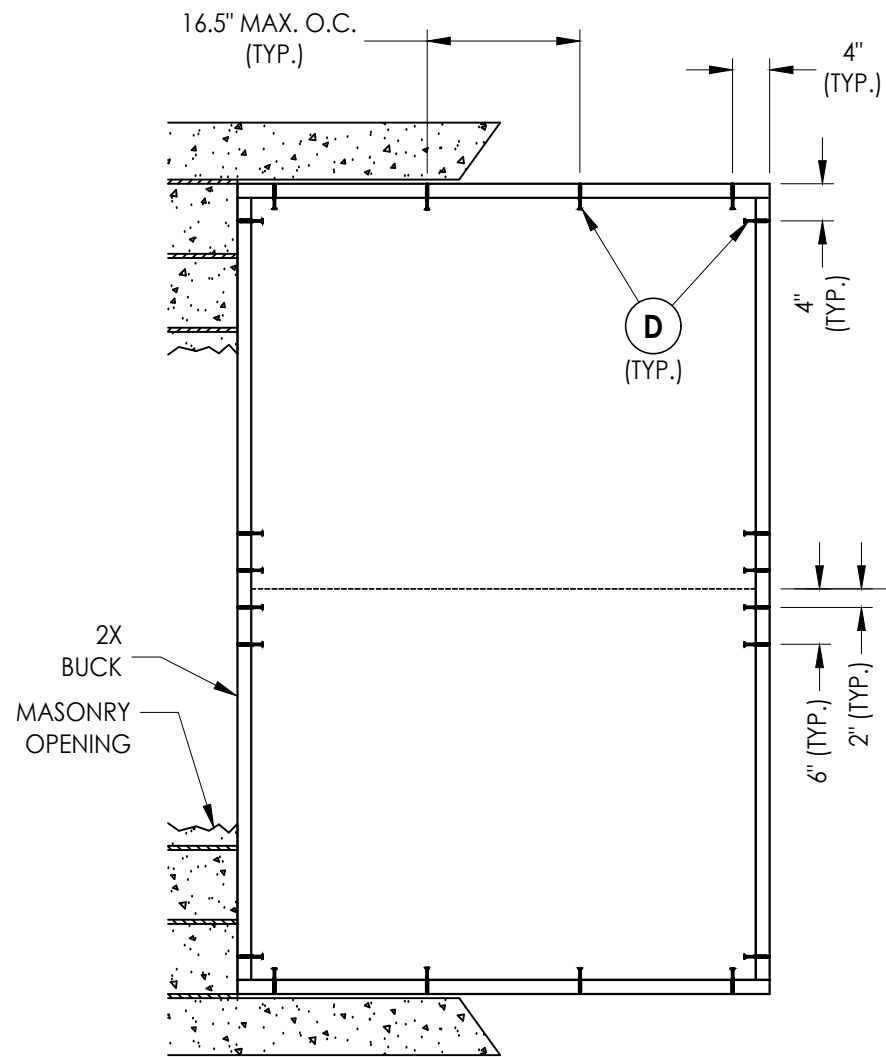
DWG. BY: JK

CHK. BY: LFS

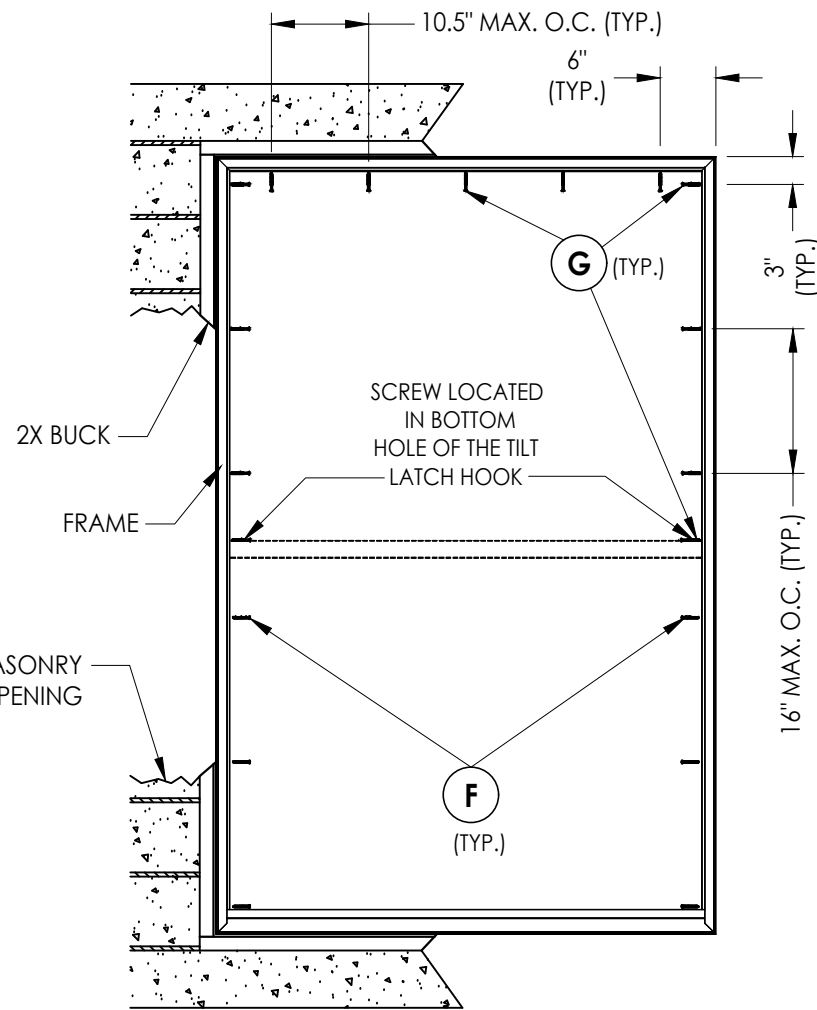
DRAWING NO.:

FL-15819.2

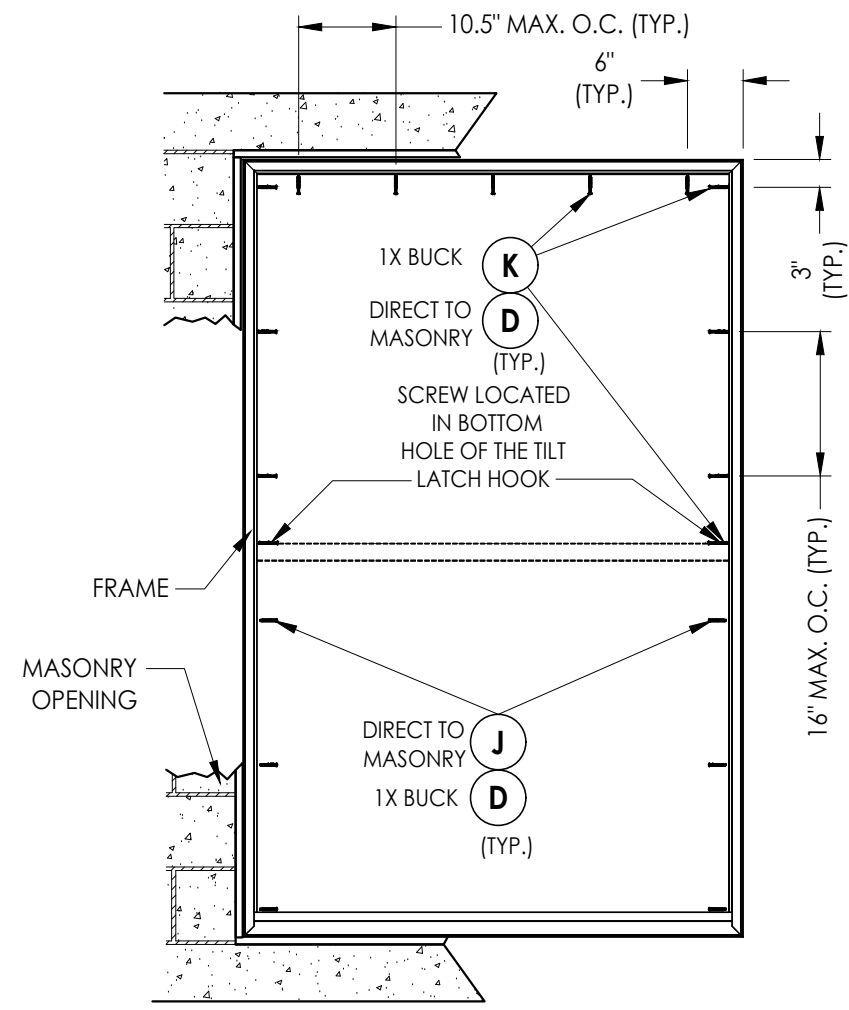
SHEET 4 OF 8



BUCK ANCHORING



FRAME ANCHORING
2X Buck



FRAME ANCHORING
1X Buck
Direct to masonry

CONCRETE ANCHOR NOTES:

1. Concrete anchor locations at the corners may be adjusted to maintain the min. edge distance to mortar joints.
2. Concrete anchor locations noted as "MAX. ON CENTER" must be adjusted to maintain the min. edge distance to mortar joints, additional concrete anchors may be required to ensure the "MAX. ON CENTER" dimensions are not exceeded.
3. Concrete anchor table:

ANCHOR TYPE	ANCHOR SIZE	MIN. EMBEDMENT	MIN. CLEARANCE TO MASONRY EDGE	MIN. CLEARANCE TO ADJACENT ANCHOR
ITW TAPCON®	1/4"	1-1/4"	2"	4"
DeWALT ULTRACON+	1/4"	1-1/4"	1"	4"

WOOD SCREW INSTALLATION NOTES:

1. Maintain a minimum 5/8" edge distance, 1" end distance, & 1" o.c. spacing of wood screws to prevent the splitting of wood.

NOTE: Frame anchoring screws are located as follows:
Interior track: above the mid-rail
Exterior track: below the mid-rail

Documents Prepared By:
Lyndon F. Schmidt
P.E. No. 43409

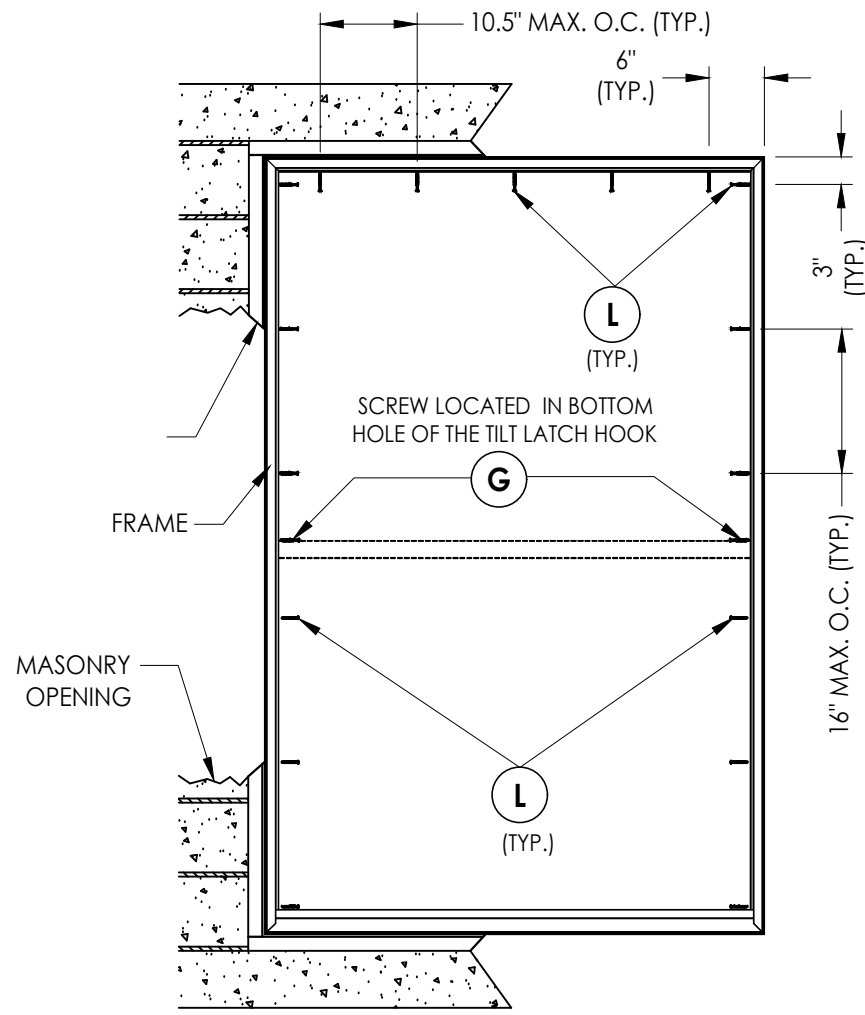
PRODUCT:
8800 SERIES
Vinyl Double Hung Window

NO.	DATE	DESCRIPTION	BY
6	7/06/23	UPDATE TO 8TH ED. (2023) FBC	LFS
5	7/02/20	UPDATE TO 7TH ED. (2020) FBC	LFS
4	1/29/19	ADD ALTERNATE ANCHORING	LFS
3	6/01/17	UPDATE TO 6TH ED. (2017) FBC	LFS
2	1/27/15	UPDATE TO 5TH ED. (2014) FBC	LFS
1	4/02/13	UPDATE FRAME SIZE/DP/GLZ	LFS

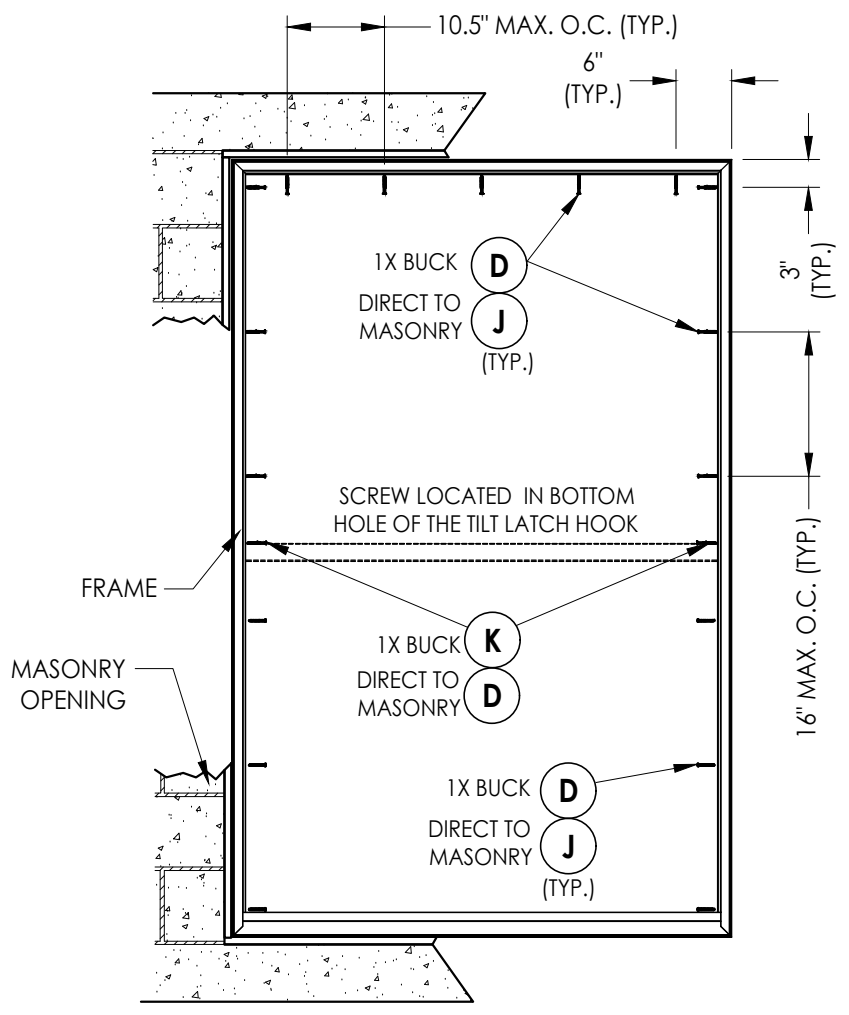
DATE: 8/2/12
SCALE: N.T.S.
DWG. BY: JK
CHK. BY: LFS
DRAWING NO.: FL-15819.2
SHEET 5 OF 8

RW BUILDING CONSULTANTS, INC.
P.O. Box 230, Valrico, FL 33595
Phone No.: 813.659.9197
FBPE Registry No. 9813

PART OR ASSEMBLY:
BUCK & FRAME ANCHORING
(DUAL TRACK)



FRAME ANCHORING
2X Buck



FRAME ANCHORING
1X Buck
Direct to masonry

NOTE: Frame anchoring screws are located as follows:
Interior track: above the mid-rail
Interior track: below the mid-rail

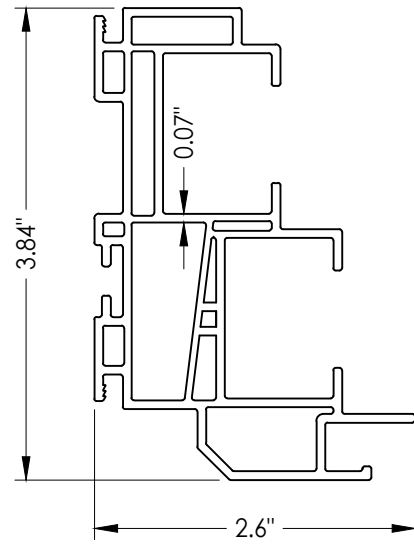
NO.	DATE	DESCRIPTION
6	7/06/23	UPDATE TO 8TH ED. (2023) FBC
5	7/02/20	UPDATE TO 7TH ED. (2020) FBC
4	1/29/19	ADD ALTERNATE ANCHORING
3	6/01/17	UPDATE TO 6TH ED. (2017) FBC
2	1/27/15	UPDATE TO 5TH ED. (2014) FBC
1	4/02/13	UPDATE FRAME SIZE/DP/GLZ
		REVISIONS

DATE: 8/2/12
SCALE: N.T.S.
DWG. BY: JK
CHK. BY: LFS
DRAWING NO.: FL-15819.2
SHEET 6 OF 8

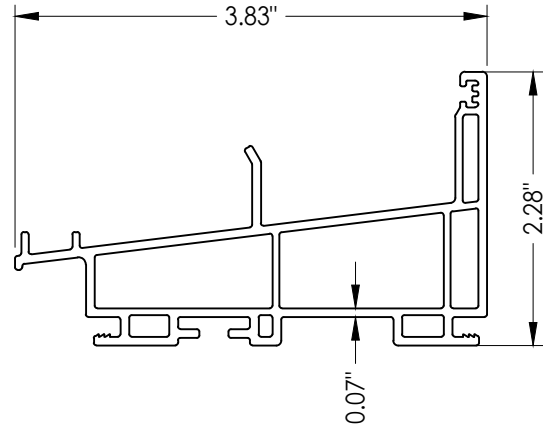
PRODUCT: 8800 SERIES Vinyl Double Hung Window
PART OR ASSEMBLY: BUCK & FRAME ANCHORING (ALT. INTERIOR TRACK)

Documents Prepared By:
Lyndon F. Schmidt
P.E. No. 43409

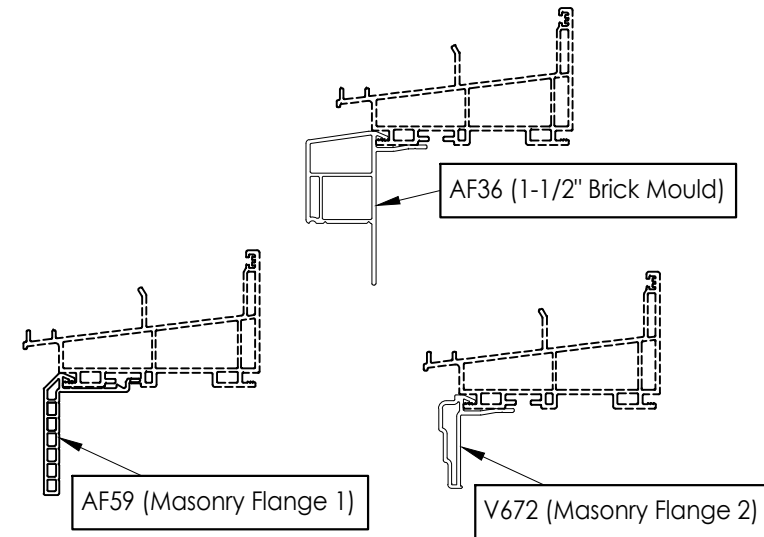
RW BUILDING CONSULTANTS, INC.
P.O. Box 230, Valrico, FL 33595
Phone No.: 813.659.9197
FBPE Registry No. 9813



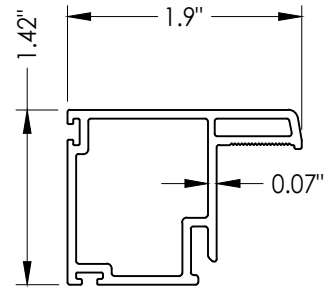
1 FRAME HEAD & JAMB



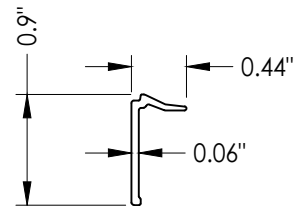
2 SILL



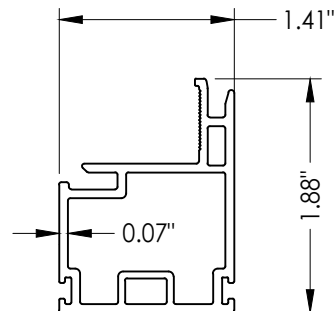
OPTIONAL COSMETIC FLANGES



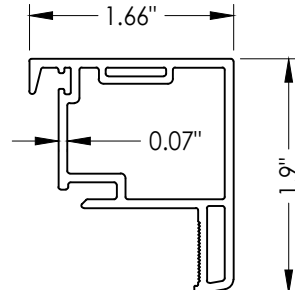
5 SASH STILE



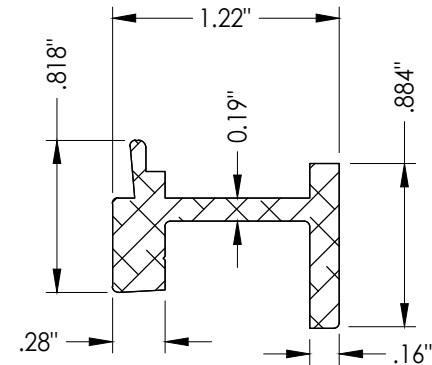
6 GLAZING BEAD



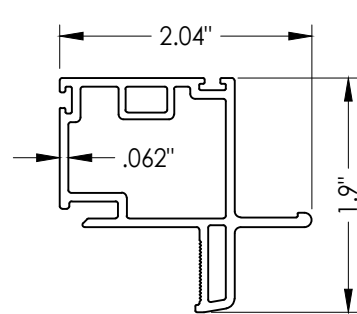
7 KEEPER RAIL
Upper Sash



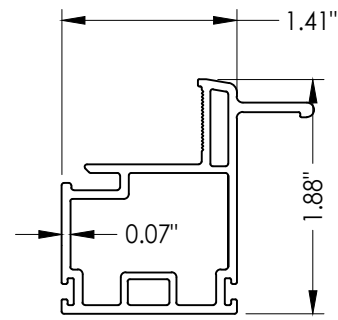
9 LOCK RAIL
Lower Sash



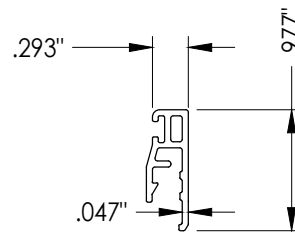
8 REINFORCEMENT
Alum.



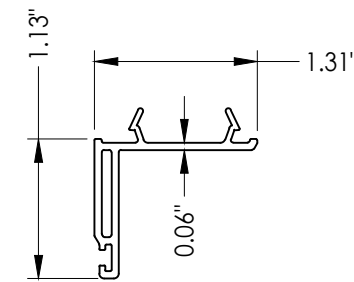
11 TOP RAIL
Upper Sash



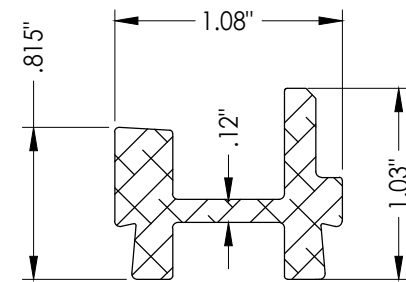
12 BOTTOM RAIL
Lower Sash



14 SILL DAM EXTENDER



19 HEAD ADAPTER



18 REINFORCEMENT
Alum.

Documents Prepared By:
Lyndon F. Schmidt
P.E. No. 43409

RW BUILDING CONSULTANTS, INC.
P.O. Box 230, Valrico, FL 33595
Phone No.: 813.659.9197
FBPE Registry No. 9813

PRODUCT:
8800 SERIES
Vinyl Double Hung Window
PART OR ASSEMBLY:
COMPONENTS

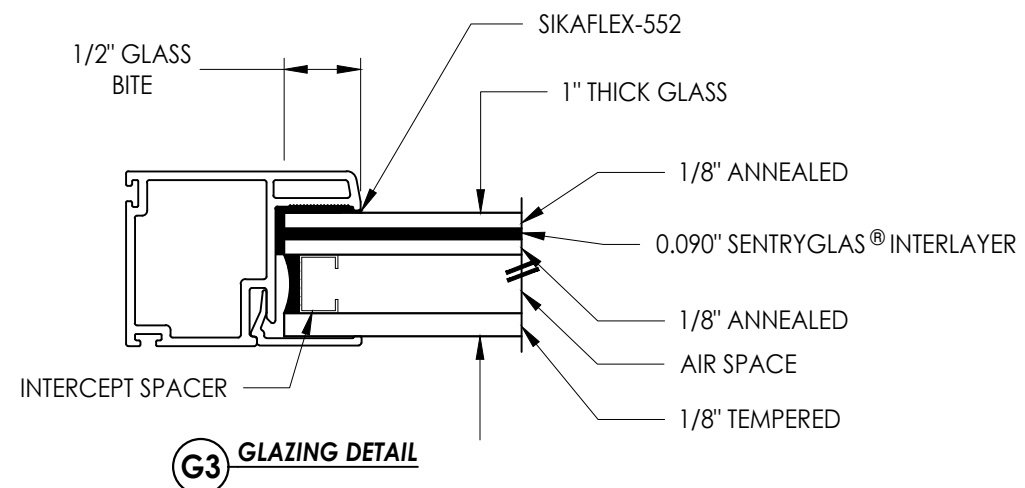
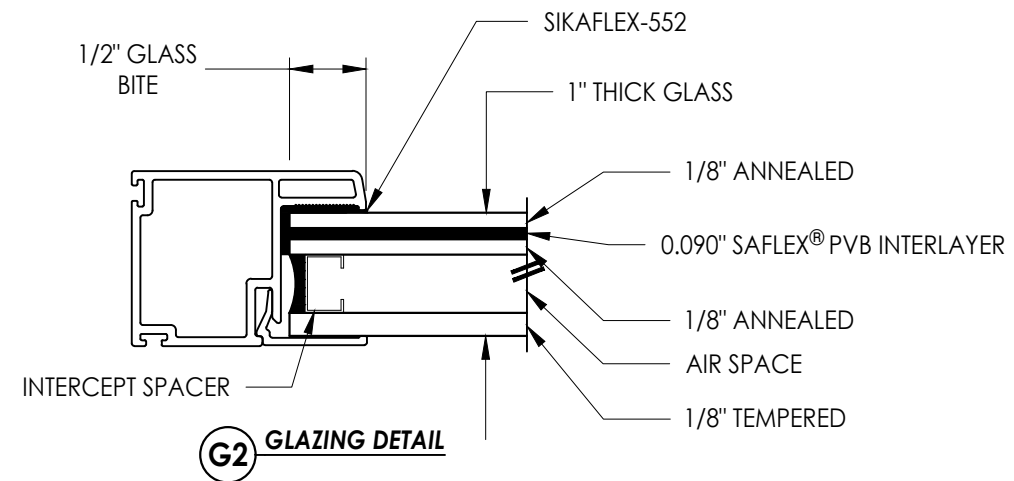
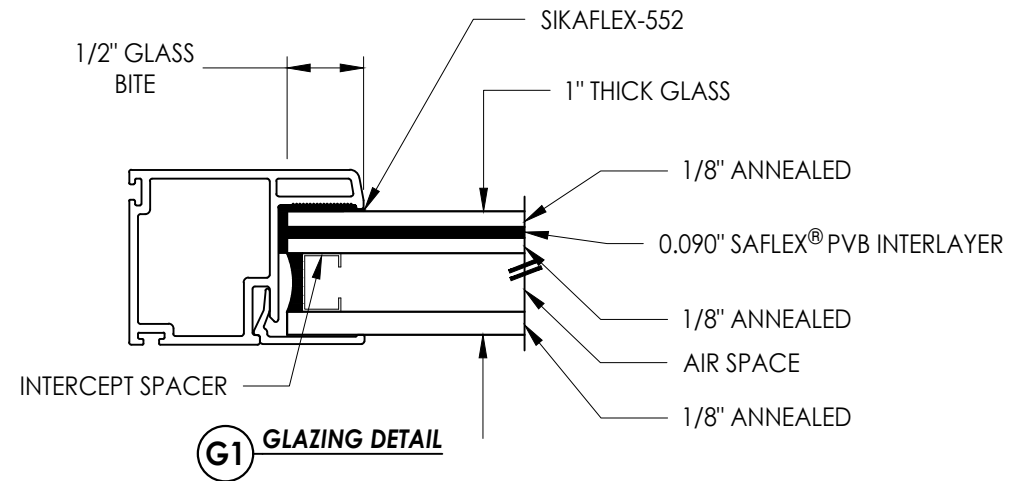
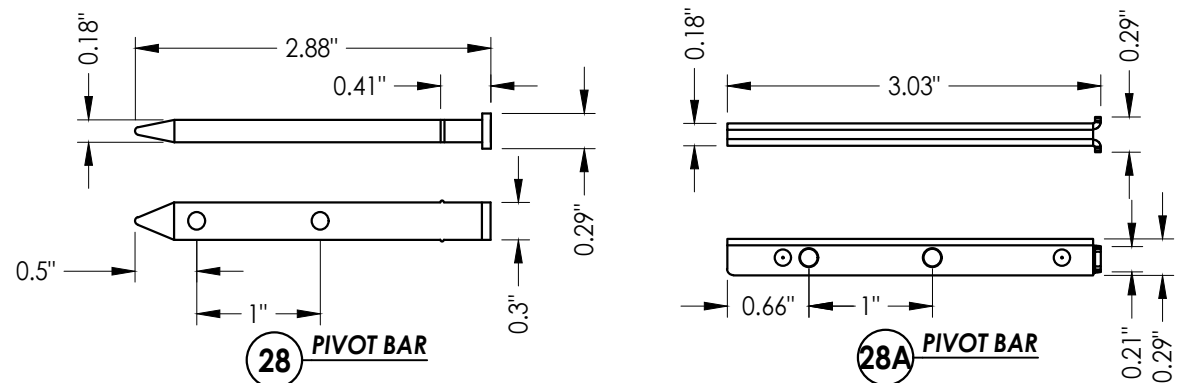
NO.	DATE	REVISIONS
6	7/06/23	UPDATE TO 8TH ED. (2023) FBC LFS
5	7/02/20	UPDATE TO 7TH ED. (2020) FBC LFS
4	1/29/19	ADD ALTERNATE ANCHORING LFS
3	6/01/17	UPDATE TO 6TH ED. (2017) FBC LFS
2	1/27/15	UPDATE TO 5TH ED. (2014) FBC LFS
1	4/02/13	UPDATE FRAME SIZE/DP/GLZ LFS

DATE: 8/2/12
SCALE: N.T.S.
DWG. BY: JK
CHK. BY: LFS
DRAWING NO.: FL-15819.2
SHEET 7 OF 8

BILL OF MATERIALS

ITEM #	DESCRIPTION	MATERIAL
A	1X BUCK (SG >= 0.42)	WOOD
B	2X BUCK (SG >= 0.42)	WOOD
C	1/4" MAX. SHIM SPACE	-
D	1/4" X 2-3/4" PFH DeWALT OR ITW CONCRETE SCREW	STEEL
E	MASONRY - 3,000 PSI MIN. CONCRETE CONFORMING TO ACI 301 OR HOLLOW BLOCK CONFORMING TO ASTM C90	CONCRETE
F	#8 X 1-3/4" PPH WOOD SCREW (1-3/16" MIN. EMBEDMENT)	STEEL
G	#8 X 2" PFH WOOD SCREW (1-3/16" MIN. EMBEDMENT)	STEEL
J	1/4" X 2-1/4" PFH DeWALT OR ITW CONCRETE SCREW	STEEL
K	1/4" X 3-1/4" PFH DeWALT OR ITW CONCRETE SCREW	STEEL
L	#8 X 2" MODIFIED TRUSS HEAD (7/16" Ø) SMS (1-3/8" MIN. EMBEDMENT)	STEEL
1	FRAME JAMB*	PVC
2	SILL*	PVC
3	FRAME HEAD*	PVC
5	SASH STILE*	PVC
6	GLAZING BEAD*	PVC
7	KEEPER RAIL UPPER SASH*	PVC
8	REINFORCEMENT (6005-T5)	ALUM
9	LOCK RAIL LOWER SASH*	PVC
11	TOP RAIL UPPER SASH*	PVC
12	BOTTOM RAIL LOWER SASH*	PVC
14	SILL DAM EXTENDER	PVC
16	WEATHERSTRIP ULTRA FAB .270 PILE - 270 -1875B	-
17	WEATHERSTRIP SILLBULB (AMESBURY 32690)	-
18	REINFORCEMENT (6005-T5)	ALUM
19	HEAD ADAPTER*	PVC
20	LOCK 8513 / 8845 LAWRENCE*	PVC
21	KEEPER 2700/214 LAWRENCE*	PVC
23	#6 X 1-1/2" PFH (VINYL LOCK SCREWS)	STEEL
24	TOP SASH TILT LATCH - ASHLAND*	PVC
25	BOTTOM SASH IMPACT TILT LATCH - ASHLAND	-
26	#8 X 1" TEK SCREW	STEEL
27	OPTIONAL VENT LATCH*	PVC
28	PIVOT BAR - CALDWELL	-
28A	PIVOT BAR - STAINLESS STEEL OPTION	-
29	#8 X 1/2" SELF TAPPING PPH SMS	STEEL

* THE APPROVED WHITE RIGID PVC EXTERIOR EXTRUSIONS FOR WINDOWS ARE TO BE PRODUCED BY EXTRUDERS LICENSEES IN "AAMA CERTIFICATION PROGRAMS FOR RIGID PVC EXTRUSIONS".



Documents Prepared By:
 Lyndon F. Schmidt
 P.E. No. 43409

RW BUILDING CONSULTANTS, INC.
 P.O. Box 230, Vairico, FL 33595
 Phone No.: 813.659.9197
 FBPE Registry No. 9813

PRODUCT: 8800 SERIES
 Vinyl Double Hung Window
 PART OR ASSEMBLY: BILL OF MATERIALS & GLAZING DETAILS
 COMPONENTS & GLAZING DETAILS

NO.	DATE	REVISIONS
6	7/06/23	UPDATE TO 8TH ED. (2023) FBC
5	7/02/20	UPDATE TO 7TH ED. (2020) FBC
4	1/29/19	ADD ALTERNATE ANCHORING
3	6/01/17	UPDATE TO 6TH ED. (2017) FBC
2	1/27/15	UPDATE TO 5TH ED. (2014) FBC
1	4/02/13	UPDATE FRAME SIZE/DP/GLZ

DATE: 8/2/12
 SCALE: N.T.S.
 DWG. BY: JK
 CHK. BY: LFS
 DRAWING NO.: FL-15819.2
 SHEET 8 OF 8